

P-SERIES

**Magnetic Coupled External Gear Pump
Non-Pulsing Flow, Positive Displacement,
Accurate, Leak Free, Chemical Resistant, Long Life**



Flow Rates: < 1 GPH to 63 GPH
< 4 L/Hr to 238 L/Hr
Temperatures: 0°F to 150°F
18°C to 65°C
Differential Pressures: 130 PSI
9 bar
System Pressures: 300 PSI
20 bar

Viscosity: 0.3 to 1000 cps +
Magnet Torque: 15 to 50 in/oz
Magnet Materials: Ceramic
Metal Wetted Parts: 316 Stainless Steel,
Hastelloy or Titanium
Ports: 1/8-27 NPT

Speed: 5,000 RPM maximum
Service Life: Up to 10,000 hours +
Suction Vacuum: 28.5 " Hg
724 mm Hg
Self Priming: Yes, wetted
Bypass: Optional
Size: 1.6" diameter pump head

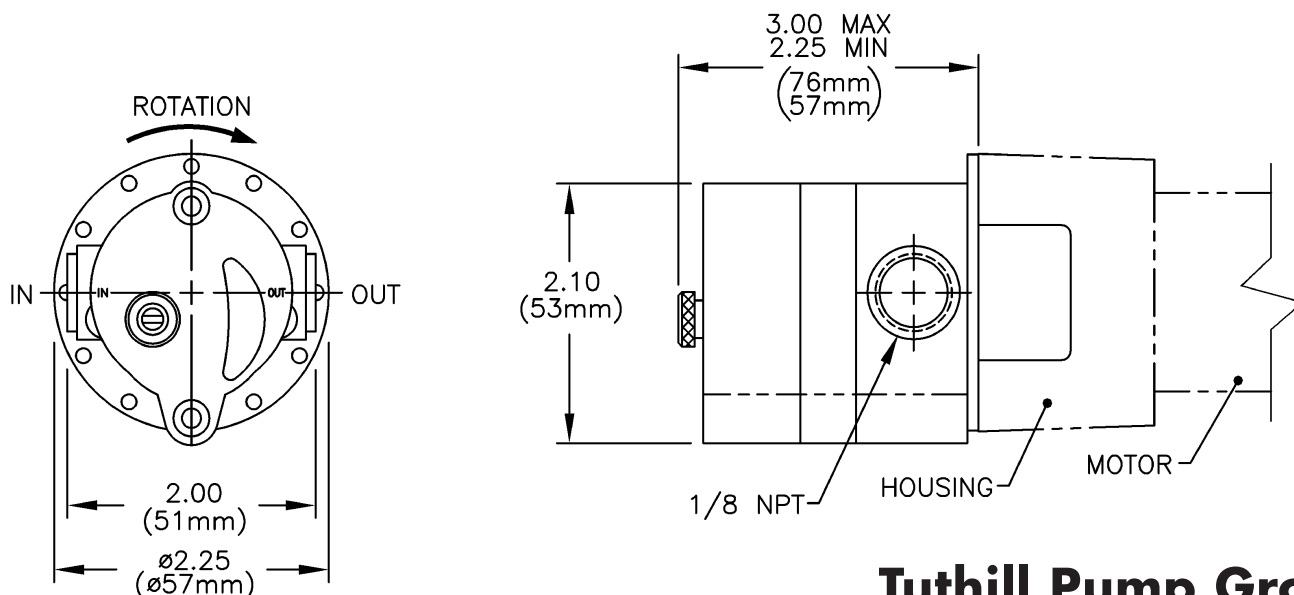
Flow @ 3500 RPM

MODEL ml/rev	GPH @ 0 PSI	L/Hr @ 0 bar	GPH @ PSI Differential Pressure	L/Hr @ bar Differential Pressure	Continuous Duty Limit	
					PSI	bar
.23	12	45	1.7 @ 100	6 @ 6.9	130	9
.38	20	76	3 @ 130	11 @ 9	130	9
.57	30	114	13 @ 110	49 @ 7.6	110	7.6
.68	36	136	21 @ 90	79 @ 6.2	90	6.2
1.2	63	238	49 @ 70	185 @ 4.8	70	4.8

Performance Estimate Based on Pumping Ambient Temperature Clean Water

Tuthill Pump Group specializes in OEM applications. All pumps have a wide range of options. Consult factory for other options and performance requirements.

Applications: Laboratory, Water Purification, Lubrication, Fluid Transfer, Recirculation, Cooling, Chemical Metering, Sampling, Temperature Control, Additive Delivery, Proportioning, Chemical Handling, Automotive, Oil Filtration, Acids, General Use.



Tuthill Pump Group Concord Operations

5143 Port Chicago Highway
Concord, California 94520 USA
Tel: 925.676.8000 • Fax: 925.676.8151
email: concord@tuthill.com
www.tuthillpump.com

P Series Specifications 1003-01

Effective Replaces	September 2001 June 2001	Page 1 of 2
-----------------------	-----------------------------	-------------

Materials of Construction

Metal Wetted Parts: 316 Stainless Steel, Hastelloy C276 or Titanium

Gears & Bearings: PPS (Polyphenylene Sulfide)

O-Rings: Viton

Ports: 1/8 NPT

Magnet Shrouds: Ceramic Magnets (stronium ferrite) may be O-Ring seal shrouded

Magnet Torque: 15 in/oz, 30 in/oz or 50 in/oz

Bypass: Full flow externally adjustable bypass option available

Suction Vacuum: Pumps self prime when wetted with operating fluid to 28.5 Hg" (724mm Hg).
Dry lift not recommended. Fluid viscosity, temperature and pressure may affect the performance.

Motors: AC, DC, Air, Variable Speed or Motor Mate Adapter Kits

